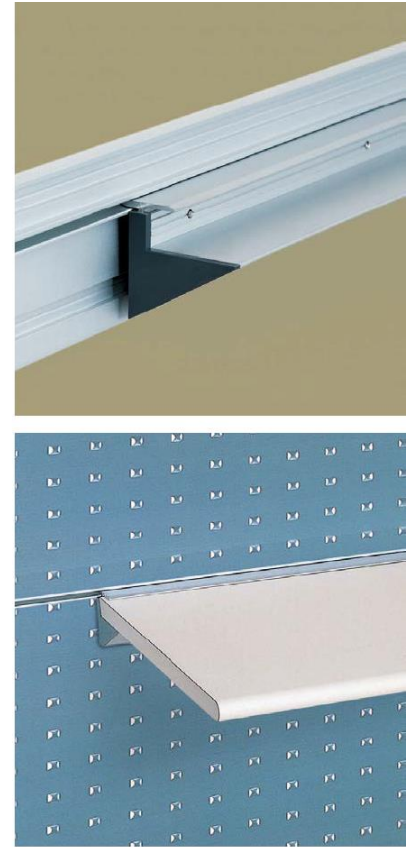


## GVT Shelving System



Application examples

- Visually discreet concealed rail shelving system
- High weight resistance, easy to alter parts after construction
- Favourable shelf board with thickness of 2.5 ~ 4 mm can be chosen
- Accessories available



- Easy to remove parts
- High load capacity
- Wooden shelf: 40 kg

### Notes

- GVT series are not compatible with GVT-DS and GVT-DF



GVT-H15 hook example



GVT-H15 hook example



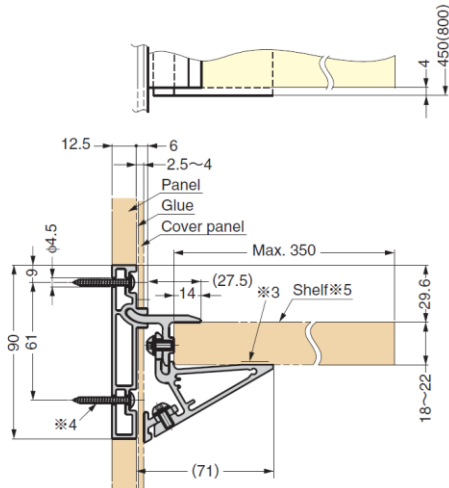
GVT-K350 shelf example

	Door Thickness	Depth	Max. Width	Load Capacity ※2	
Wood Shelf Panel ※1	18~22	350	800	392 N	40 kgf
Glass Shelf Panel ※1	8	270	890	98 N	10 kgf

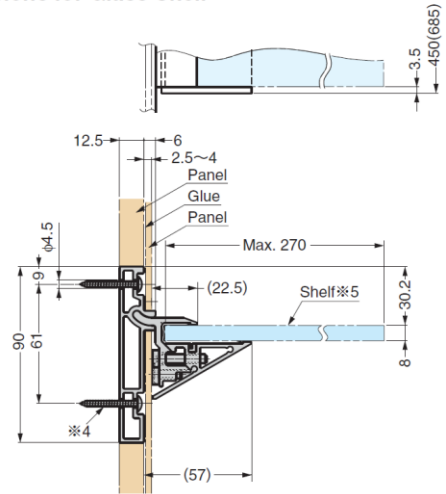
※1 Shelf panels are not included.

※2 Load capacity does not include the weight of shelf panel.

### ■ Dimensions for Wood Shelf



### ■ Dimensions for Glass Shelf

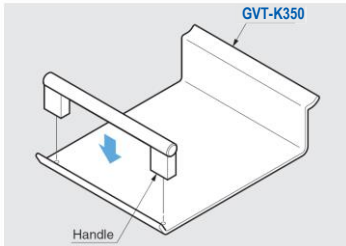


※3 : Adhesive tape required.    ※4 : Required screws: 4×50    ※5 : Shelves are not included.

### ■ Application Examples



### ■ Application Examples

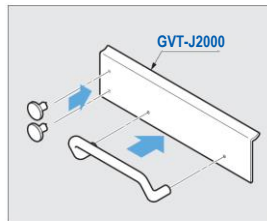


● Combination of GVT-K350 and handle

### ■ Application Examples



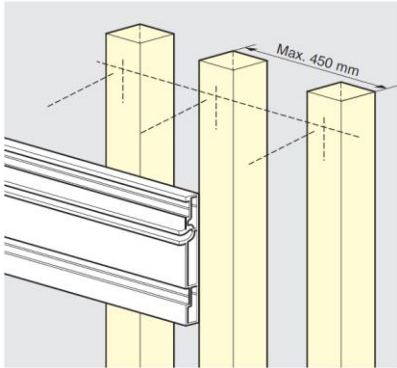
with GTS and GLF-12



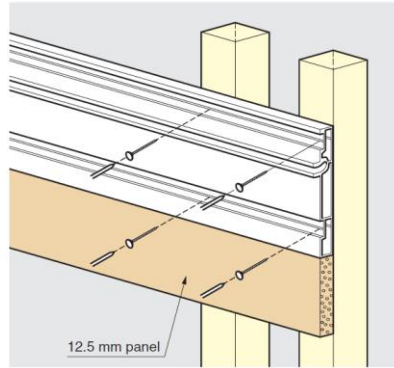
● Combination of GVT-J2000 and handle  
● Aluminium profile that can be cut to length

with G11014

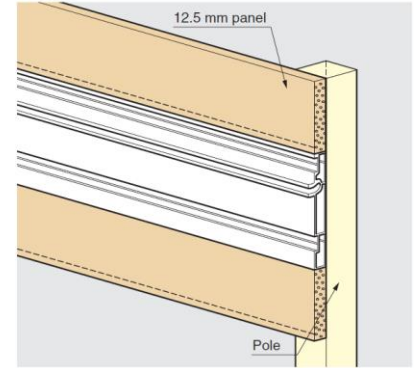
■ Installation



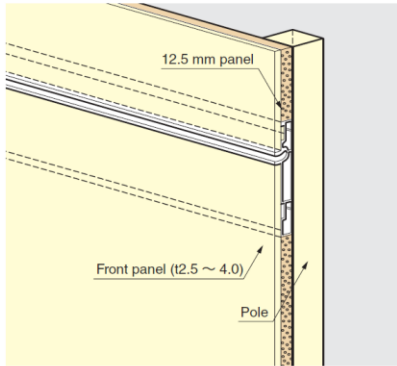
1. Decide application position. Make sure to place horizontally.



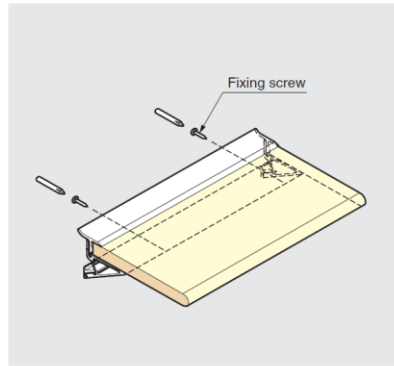
2. Apply an extra panel (12.5 mm) below the rail. Screw the board in place.



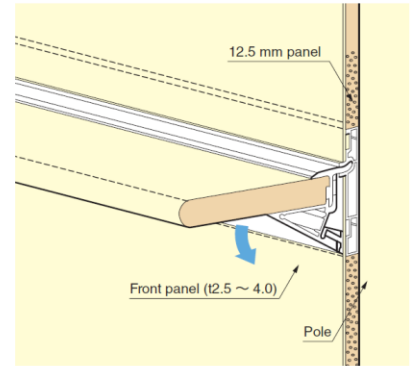
3. Next, apply a second panel (12.55 mm) above the rail.



4. Conceal rail, panels with 2.5 mm ~ 4.0 mm board.



5. Attach shelf and shelf holder with screws as shown in the above.



6. Slant the shelf board into the rail slot and drop down once the board is horizontal.

■ GVT Part Details

Part No.		Dimensions	Material/Finish	Length L	Shelf Thickness	Load Capacity	Weight
GVT-A1820	Slotted Panel Bracket		Aluminium Alloy / Anodized Silver	1820	—	—	2.5 kg
GVT-X450	Shelf Bracket for Wood		Aluminium Alloy / Anodized Silver	442	18~ 22	392 N※	1.2 kg
GVT-X800				792			2.2 kg

※End cap GVT-E65 is included.

※Load capacity does not include the weight of shelf panel.

Part No.		Dimensions	Material/Finish	Length L	Shelf Thickness	Load Capacity		Weight
<b>GVT-18-X450</b>	Bracket for Wood Shelf 18 mm		Aluminium Alloy / Anodized Silver	443	18	98 N※	10 kgf※	0.8 kg
<b>GVT-18-X800</b>			Aluminium Alloy / Anodized Silver	793	18	98 N※	10 kgf※	1.3 kg
<b>GVT-G450</b>	Bracket for Glass Shelf 8 mm		Aluminium Alloy / Anodized Silver	443	8	98 N※	10 kgf※	0.9 kg
<b>GVT-G685</b>			Aluminium Alloy / Anodized Silver	678	8	98 N※	10 kgf※	1.2 kg
<b>GVT-G890</b>			Aluminium Alloy / Anodized Silver	883	8	98 N※	10 kgf※	1.6 kg
<b>GVT-E65</b>	End Cap (left/right set)		ABS Resin / Grey Finish	—	—	—	—	9 g
<b>GVT-G685-E</b>	End Cap (left/right set)		ABS Resin / Grey Finish	—	—	—	—	6 g
<b>GVT-F2500</b>	End Parts		Aluminium Alloy / Anodized Silver	2500	—	—	—	0.6 kg
<b>GVT-F20</b>	End Connector		Polyacetal (POM) / Natural	—	—	—	—	2 g
<b>GVT-J2000</b>	Plate Hook		Aluminium Alloy / Anodized Silver	2000	—	392 N	40 kgf	1.5 kg
<b>GVT-K350</b>	Tray		Aluminium Alloy / Anodized Silver	350	—	98 N	10 kgf	0.8 kg
		GBS clear bumper <b>GBS-1</b> and <b>GBS-5</b> are included. (4 pcs each)						
<b>GVT-H15</b>	Hook A		Aluminium Alloy / Anodized Silver	—	—	49 N	5 kgf	9 g
		Adhesive tape is included.						
<b>GVT-H20</b>	Hook B		Aluminium Alloy / Anodized Silver	—	—	49 N	5 kgf	21 g
		Adhesive tape is included.						

※Load capacity does not include the weight of shelf panel.